



HOT ROD CARBURETION • CLOTHING & COLLECTIBLES • SERVICE PARTS • LINKAGE & FUEL DELIVERY

HOW TO: Install 9630K Accelerator pump kit

WARNING: These instructions, including the diagrams, must be read and fully understood before installation begins. Failure to follow these instructions may result in poor performance, vehicle damage, personal injury or death. If these instructions are not fully understood, installation should not be attempted.

If you have any questions, contact your authorized Stromberg dealer or email us - tech@stromberg-97.com.

I. READ THIS FIRST

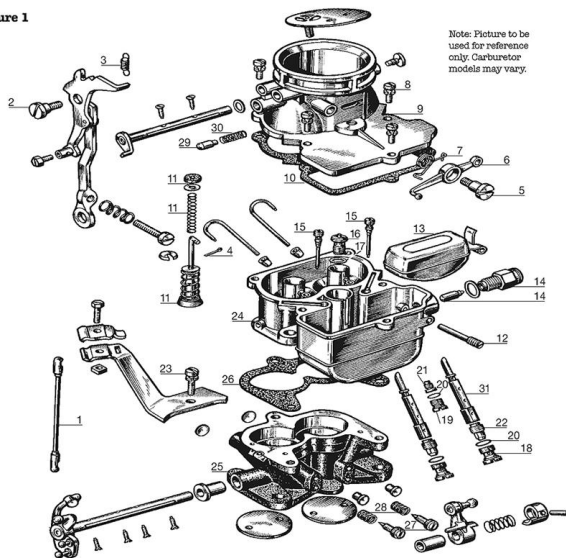
Before installation, please check you have the correct product for your Stromberg application.

WARNING: Before working on any carburetor, it should be removed from the car and dried of any fuel as gasoline and gasoline vapors are very flammable. Never smoke, use an open flame, or produce any sparks where gasoline or gasoline vapors could be present. Doing so may cause a fire or explosion, resulting in property damage, serious personal injury, or even death.

WARNING: Always perform any work on the fuel system in a well ventilated area. Failure to do so may result in the build up of dangerous gasoline or other combustible vapors that may cause severe respiratory injury, or a fire or explosion, resulting in property damage, serious personal injury, or death.

WARNING: A thorough knowledge of carburetor function and repair is required. Therefore, Stromberg recommends that rebuilding and installation be performed only by a professional auto mechanic. An improperly rebuilt or installed carburetor may cause poor performance or lead to property damage, personal injury, or death, and may void your warranty.

Picture 1



Note: Picture to be used for reference only.
Carburetor models may vary.

II. PARTS IDENTIFICATION

Your Stromberg Service kit includes the following parts.

Diagram No.	Part No.	Qty	Description
11	9630	1	Accelerator pump
4	72000	1	Cotter pin

III. TOOLS REQUIRED

- Large flat blade screwdriver
- Small flat blade screwdriver
- Small long nose pliers

IV. PARTS REPLACEMENT

- a) Use the small screwdriver or pliers to unhook the spring (7) from the accelerator pump lever (6). Disconnect the accelerator pump rod (1) from the ball sockets at each end. Disconnect the choke valve tension spring (3) using the pliers, and remove the choke lever fulcrum screw (2). Remove the five airhorn screws (8) and their lock washers. Lift the airhorn (9) off, with the accelerator pump attached.
- b) Remove the small cotter (split) pin from the top of the accelerator pump (11), then remove the screw (5) to release the accelerator pump lever (6) from the airhorn. Now you can remove the accelerator pump down through the casting.
- c) Remove the new cotter pin from the top of the new accelerator pump (11) and install the pump into the casting taking care not to wrinkle the leather seal or catch it on the slot in the pump well. Place a new airhorn gasket (10) in the correct position on the bowl casting, and slide the airhorn back on, inserting the top of the accelerator pump through the correct hole in the airhorn as you do so. The felt washer goes on the inside of the airhorn, of course. Now fasten the airhorn down with the five lock washers and screws to 5in/lb torque. Install parts 7 to 2 in reverse numerical order, remembering to re-attach the two springs. Now attach the accelerator pump rod (1).

WARNING! When replacing the carburetor onto the engine, always ensure you have connected all of the linkages - throttle, choke, accelerator pump - and fuel lines correctly. Manually operate the throttle lever and choke mechanism to ensure free movement. Any sticking, binding, or 'over-center' movement in the linkage could result in uncontrolled engine speed, property damage, serious personal injury, or death.

You're done! If you think we've missed anything or can improve on this Genuine Stromberg 'How To', please let us know. Email us – tech@stromberg-97.com

These instructions, warnings, cautions, and notes are limited to replacement of the parts named in the Service Kit. Stromberg has separate instructions for carburetor rebuilding, installation and set-up.

WARRANTY

While the individual parts in this Service Kit are covered by the Stromberg Carburetor Limited Warranty, the use of this Service Kit does not guarantee that the rebuilt carburetor will deliver correct performance and economy. For full details of the Stromberg Carburetor Limited Warranty, please go to www.stromberg-97.com

